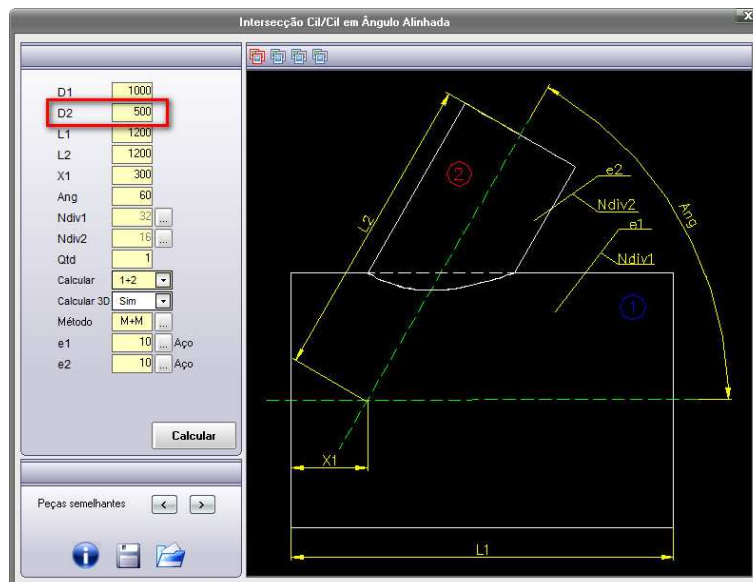


**How to create a “strengthening” for a part utilizing the CALDsoft7.**



Figure 1 – Typical example of a part with strengthening

First, while in CALDsoft7, it is necessary to select the shape desired and insert the data needed for the part to be manufactured. A good tip: While elaborating a Strengthening, is to insert the values with a small increase in the measures. For example: If the tube that penetrates has 500 mm of diameter, we can calculate it with 503 mm or 505 mm.



After the insertion of the measures, CALDsoft7 will present the results screen, where the part 1 of part in this example is the part where the cut or hole that will serve for fitting part 2 in the intersection.

The user must then go to the tab Options:

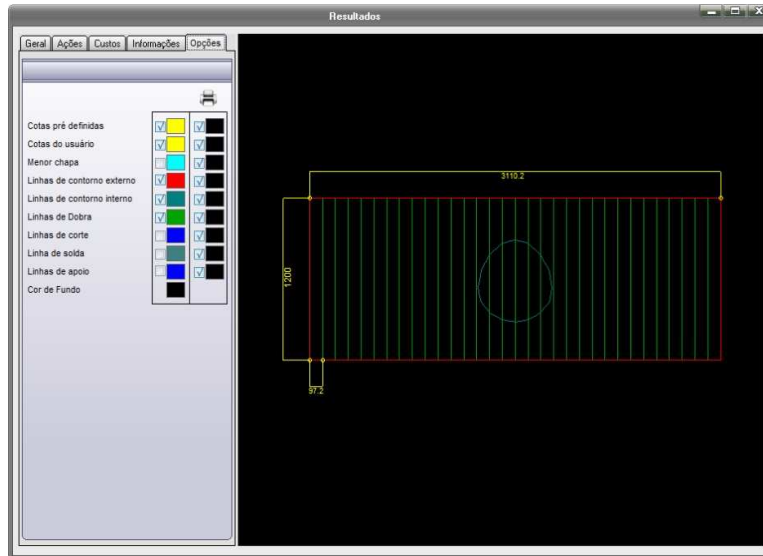


Figure 3 – screen showing the view options

In the tab options the user must enable only the box of marking of 'linhas de contorno interno' conforme figura abaixo:

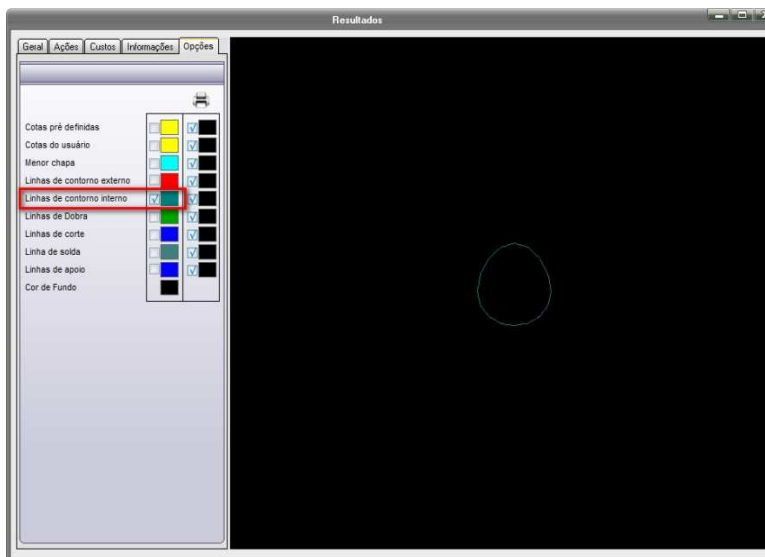


Figure 4 – Only Internal Border Lines enabled

After enabling only the internal border lines, go to the tab options, export in a .dxf or .dwg file and save it in the desired spot.

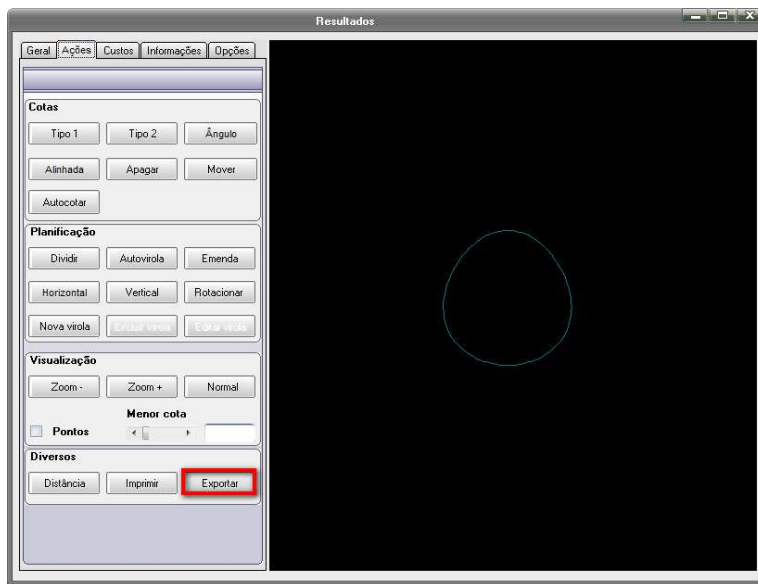


Figure 5 – Button "Export"

After exporting in AutoCAD, the user must then utilize the command "offset" to insert a copy of the borderline obtained in the CALDsoft7. However, it is necessary to make these lines into polylines through the command "pedit" or by making the border using many polylines over it. To utilize the offset, follow the orientations of AutoCAD:

- 1-Select the offset tool or type in the command line;
- 2-Especify the distance desired;
- 3-Select the object;
- 4-Select the desired point in the direction of the offset.

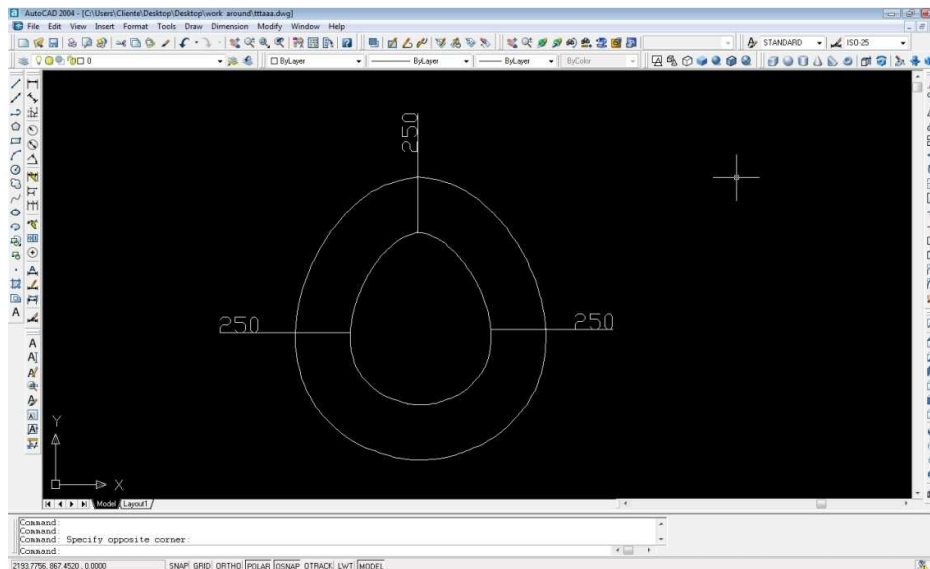


Figure 6 – Screen of AutoCAD, lines with the offset.